

Name

Address

Tel No

Email

Layout

Depth

Width

Colour

Additional Info

Please indicate the layout and overall dimensions of your requirements

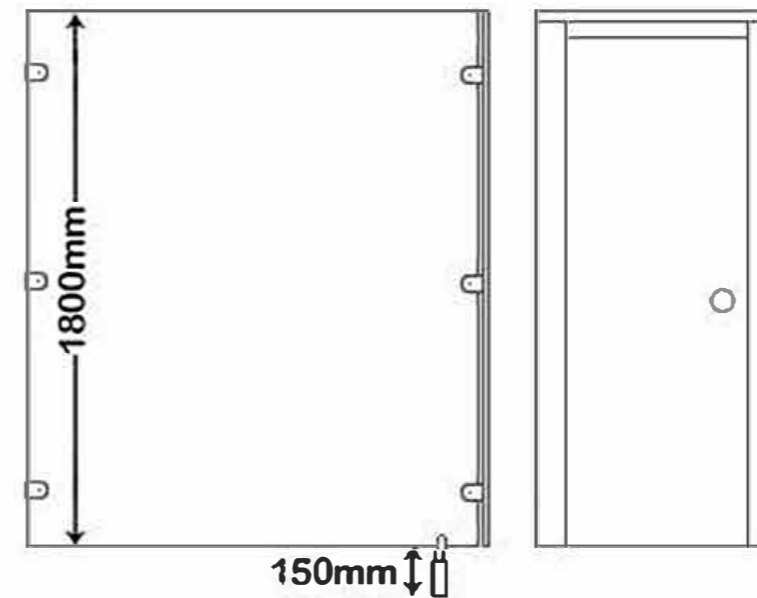
If your layout is not shown here then please sketch it (include as much information as possible)

and send along with your contact details to

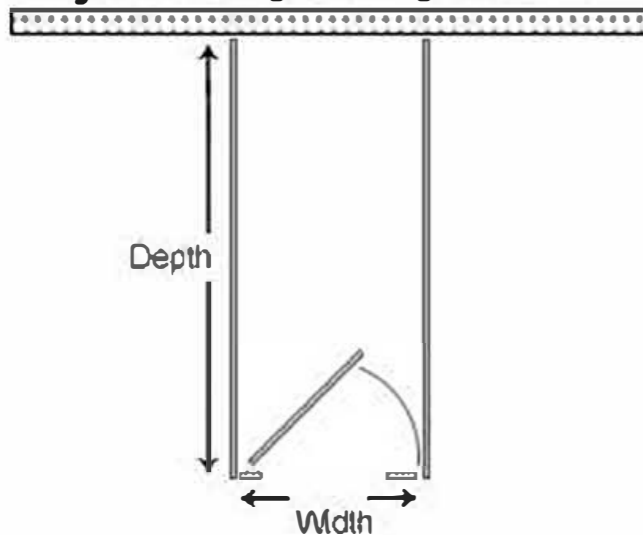
01516306880

or email

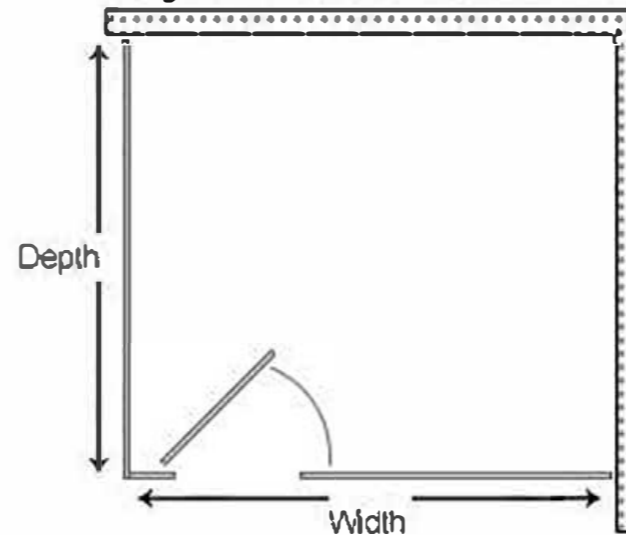
colin@aquastar.co.uk



Layout A single existing wall

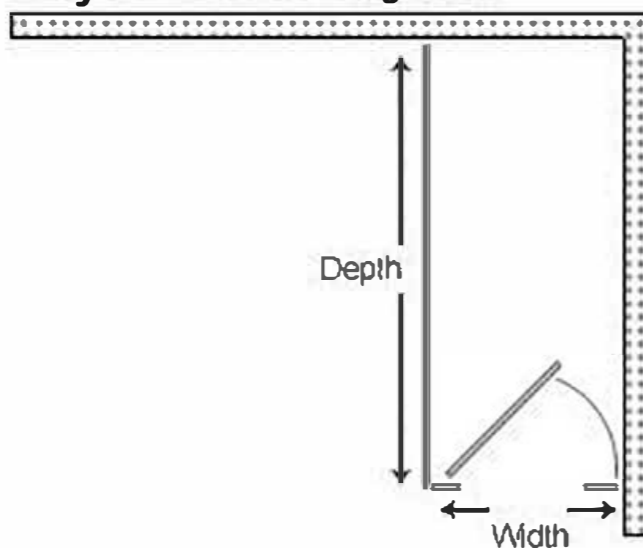


Layout D

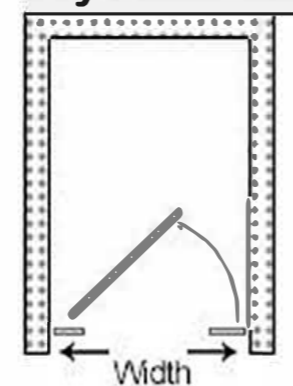


Standard Toilet Cubicle Dimensions	
Door Size	650mm
Wall Panel	1500mm
End Pilaster	150mm
Middle Pilaster	300mm

Layout B two existing walls



Layout C three existing walls



Single Toilet Cubicle Layout